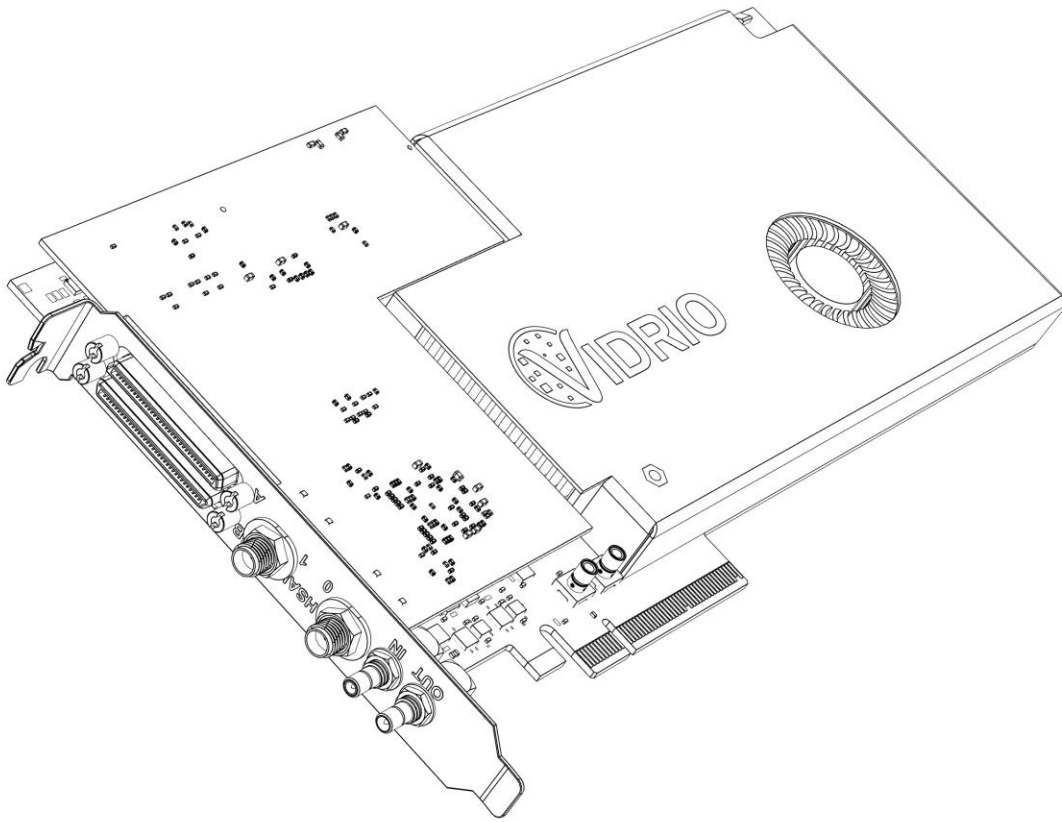


vDAQ™-HS

Datasheet | Installation Guide



October 20, 2020 (Rev. A0)



Introduction

vDAQ™ is an-all-in one data acquisition / control system platform designed for applications that require high bandwidth analog signal digitization combined with high accuracy analog output. Combining various IO options onto a single FPGA platform enables low latency closed-loop control regimes. vDAQ™ offers a powerful Xilinx Kintex UltraScale FPGA for high performance real-time processing of data. On-board DDR3 DRAM and a high-speed PCI Express host interface provide flexible options for storing and transferring high bandwidth data streams. vDAQ™ comes with required cables and breakout accessory for signal connections.

Technical Specifications

Xilinx Kintex Ultrascale FPGA

vDAQ™ is powered by a Xilinx Kintex UltraScale XCKU035 FPGA. The cutting edge UltraScale architecture is the first to offer ASIC-like clock distribution. Efficient routing resources facilitate higher device logic utilization to maximize computing potential.

Connection to the host PC is provided through a PCI Express Gen. 3 x4 interface, which offers up to 4 GB/s data throughput. vDAQ™ software supports 64 bit scatter-gather DMA data transfer.

vDAQ™ includes 4 GB of onboard DDR3 DRAM operating at 1600 MHz. Memory interface is capable of 12 GB/s throughput for local buffering of data.

High-speed Analog Input

vDAQ™ includes high-speed analog output channels accessible from SMA terminals on the rear connector panel of the PCI Express card installed in the PC. Channels support switchable input ranges and an optional low pass filter that can be enabled by software with a variable cutoff frequency. Table 1 details the specifications of the high speed analog input channels.

Table 1: vDAQ™ high speed analog input specifications

Specification	Unit	
Number of Channels		2
Channel Resolution	Bits	12
Sampling Rate Range	MHz	2000 – 2700
Timing/Synchronization		Simultaneously Sampled
Input Range	Vpp	0.5 – 2
Input Impedance	Ω	50
Overvoltage Protection	V	±7.4

Precision Analog Input

vDAQ™ includes precision analog input channels accessible from BNC connectors on the breakout accessory. Table 2 details the specifications of the precision analog input channels.

Table 2: vDAQ™ precision analog input specifications

Specification	Unit	
Number of Channels		12
Channel Resolution	Bits	16
Max. Sampling Rate	MHz	1
Timing/Synchronization		Independent
Input Range	V	±10
Input Impedance	GΩ	5
Oversvoltage Protection ¹	V	±25

1. Oversvoltage protection rating only valid when vDAQ is powered on

Precision Analog Output

vDAQ™ includes precision analog output channels accessible from BNC connectors on the breakout accessory. Table 3 details the specifications of the analog output channels.

Table 3: vDAQ™ analog output specifications

Specification	Unit	
Number of Channels		12
Channel Resolution	Bits	16
Max. Sampling Rate	MHz	2
Timing/Synchronization		Independent
Output Range	V	±10
Output Current Drive	mA	20

Digital Input/Output

vDAQ™ offers digital input/output lines divided into four groups. Two groups offer individual direction control for each line while the other two groups are group direction controlled. All DIO lines use 5V TTL logic level signaling. All digital lines are accessible from BNC connectors on the breakout accessory. Tables 4 and 5 detail the digital channel specifications.

Table 4: vDAQ™ digital input/output specifications (group 0 and 1)

Specification	Unit	Minimum	Typical	Maximum
Channels Per Group			8	
Direction Control			Independent	
Input Low Logic Level	V			1.0
Input High Logic Level	V	2.3		
Output Low Logic Level	V		0.0	0.6
Output High Logic Level	V	4.4	5.0	
Output current drive	mA	-16		16
Absolute Voltage Range	V	-0.5		5.5

Table 5: vDAQ™ digital input/output specifications (group 2 and 3)

Specification	Unit	Minimum	Typical	Maximum
Channels Per Group			8	
Direction Control			Group	
Input Low Logic Level	V			0.8
Input High Logic Level	V	2.0		
Output Low Logic Level	V		0.0	0.8
Output High Logic Level	V	4.0	5.0	
Output current drive	mA	-24		24
Absolute Voltage Range	V	-0.5		6.5

In addition to DIO lines, vDAQ™ includes a RTSI ribbon cable connector for connecting multiple DAQ cards inside the computer case. RTSI cable connector offers 16 individually direction controlled digital lines with 3.3 LVTTTL logic signaling.

Clock Synthesis

vDAQ™ includes an onboard clock synthesis module for synchronizing high-speed analog front end to external clock sources. An external clock source can be connected at the SMB terminal on the rear connector panel of the PCIe card installed in the PC. External clocks can be multiplied and delayed in 370ps steps. Table 6 details the specifications of the clock input.

Table 6: vDAQ™ external clock input specifications

Specification	Unit	
Input Frequency	MHz	1 – 425
Input Impedance	Ω	50
Input Voltage	V _{pp}	0.4 – 5.0

Compatibility Requirements

vDAQ™ requires a desktop PC with one PCI Express x8 slot. While a physical x8 slot is required, only x4 link width will be utilized. One six pin PCI Express power connector is required. Power capacity of PC power supply should also be considered when adding vDAQ™ to a PC. vDAQ™ will draw 5 – 20 W depending on design loaded on FPGA. The host PC must run Microsoft Windows 10 operating system.

Hardware Setup

Hardware installation of PCIe card by licensed PC repair vendor is highly recommended. On-site installation from a Vidrio Technologies applications engineer can also be arranged by contacting Vidrio support (support@vidriotech.com)



Installation of vDAQ™ into PC by licensed professional is highly recommended. Always wear a properly grounded ESD wrist strap while handling vDAQ™ and working inside a PC. Follow all safety procedures in PC manual while performing vDAQ™ installation.

To install vDAQ™ into PC follow the steps below:

1. Fully power PC down
 - a. If PC power supply has a switch on the rear, leave power cord plugged in and flip switch to the off position
 - b. If PC power supply does not have a switch, unplug power cord. Ensure PC chassis is properly grounded before proceeding
2. Wait 5 minutes after removing power to begin installation
3. Open PC case to expose motherboard and PCI slot area
4. Remove and mounting brackets that block access to the PCI slot area
5. Identify a free PCI slot that is at least x8 width; remove black PCI slot cover corresponding to this slot
6. Locate a free 6-pin PCIe power plug from the power supply and plug into the 6-pin receptacle on the end of the vDAQ™
7. Insert the vDAQ™ card into the chosen PCIe slot and install mounting screw or appropriate case hardware to secure card to chassis
8. Ensure card is properly seated in slot, and not obstructed by cables or motherboard components underneath
9. Replace any mounting brackets removed in step 4
10. Replace case cover
11. Plug power cord back in if removed in step 1 and flip power switch back on if applicable

Once PCIe card is installed in PC, the breakout accessory must be connected. Rack mount is recommended for breakout accessory. Two cables must be connected between PCIe card connector plate and breakout, one labeled “A” and one labeled “B”. With the PC powered on, a green LED should illuminate on the front of the breakout when the cables are connected (if LED does not illuminate try turning brightness knob up). If LED turns red, check that the cables have not been reversed. Figure 1 shows a diagram of the vDAQ™ connections.



WARNING: Do not attempt to connect vDAQ™ to a breakout accessory for a different type of DAQ. Connecting the wrong breakout can cause damage to the vDAQ™. Only use the breakout and cables that are shipped with the vDAQ™.

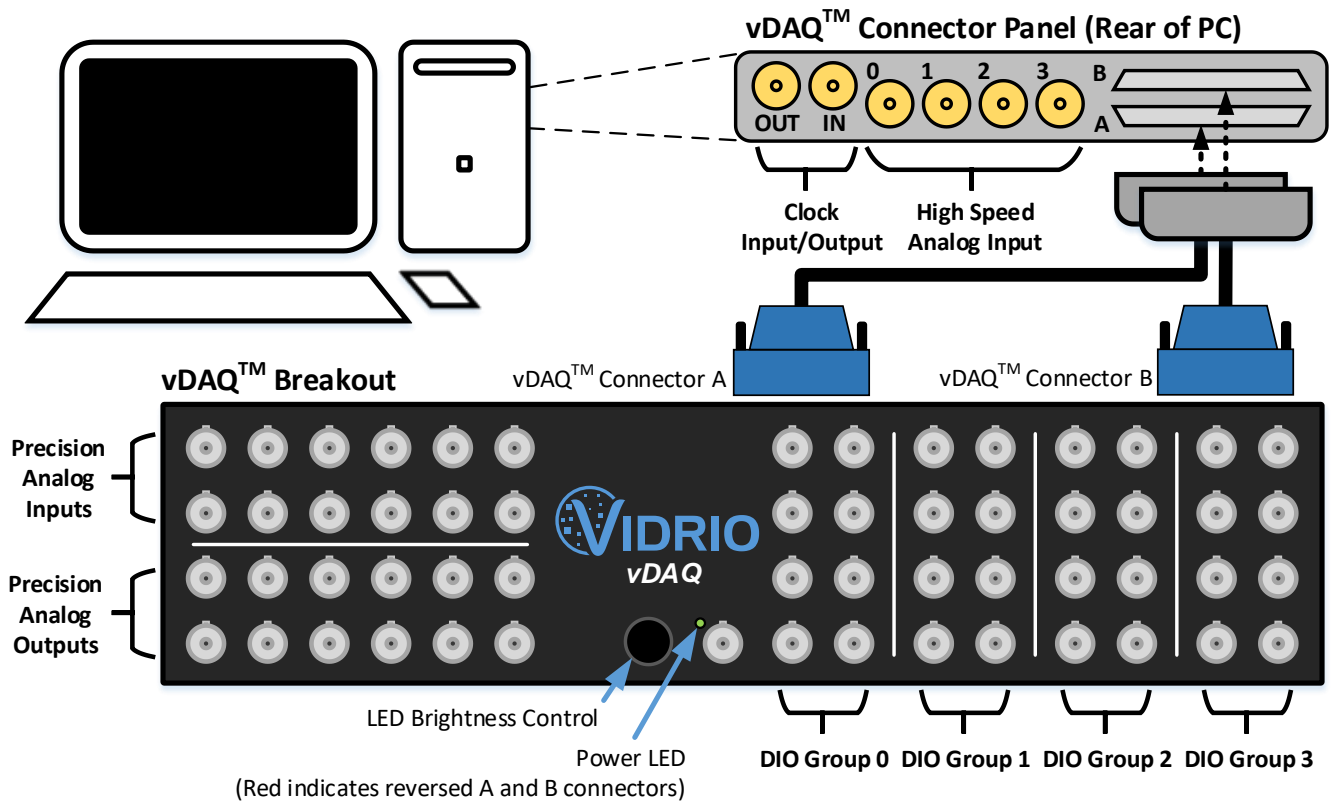


Figure 1: vDAQ™ wiring diagram



WARNING: Always power PC/vDAQ™ on before powering on any external equipment connected at breakout accessory. When shutting system down, power off external equipment before powering off PC/vDAQ™.

Software Installation

Once hardware is installed, vDAQ™ will appear in device manager as “PCI Data Acquisition and Signal Processing Controller”. To install the device driver follow the following procedure:

- 1.) Download device drivers from Vidrio Technologies website and extract zip file.
- 2.) From the device manager right click device and select “update driver”.
- 3.) Choose the option to browse for driver software.
- 4.) Select the location where the download was extracted and complete the installation.

Once software driver is installed, vDAQ™ will show up in Windows Device Manager under “Vidrio Technologies Data Acquisition Devices”.

Limited Warranty

Subject to the limitations set forth in these Terms and Conditions of Sale, Vidrio Technologies, LLC warrants (the "Limited Warranty") that all Product sold by Vidrio Technologies, LLC will conform to the published specifications and shall be free from defects in materials and workmanship under normal use, handling and service as follows:

vDAQ™: Two-year warranty on parts and labor.

ScanImage® Optimized Data Acquisition Systems: Two-year warranty on parts and labor.

ScanImage® Optimized vDAQ™ Data Acquisition System: Two-year warranty on parts and labor.

Vidrio Technologies, LLC shall have no obligation under the Limited Warranty or otherwise, and this Limited Warranty does not apply to (i) Products which are (a) identified by Vidrio Technologies, LLC as a pre-production product, alpha, beta or similar product or a prototype, (b) specials, modifications, or customized items meeting the specifications provided by Buyer; (c) ESD sensitive items whose static protection packaging has been opened, or items that are fragile to the touch, once removed from its packaging; (d) items repaired, modified or altered by any party other than Vidrio Technologies, LLC; (e) items used in conjunction with equipment not provided by, or acknowledged as compatible by, Vidrio Technologies, LLC; (f) subjected to unusual physical, thermal, or electrical stress; (g) damaged due to improper installation, misuse, abuse, or storage; (h) damaged due to accident or negligence in use, storage, transportation or handling, or (ii) the use, fit or function of Products that are assembled or constructed from a kit, or (iii) to software supplied or made available by Vidrio Technologies, LLC for use in connection with certain Products.

To the extent the Product is incorporated into any other instrument or device, Vidrio Technologies, LLC makes no representation with respect to the safety, efficacy, accuracy, reliability, use, or fitness for intended purpose of the Product in such integrated product or in such application. To the extent so incorporated into any other instrument or device, or used in such application, Buyer hereby agrees to indemnify and hold Vidrio Technologies, LLC harmless from any claims, suits, liabilities, losses, damages, expenses (including reasonable attorneys' and experts' fees and expenses) and costs arising from or relating to any defects in and/or the use of the Product and such integrated product, and/or the failure of the Product or such integrated product to comply with any applicable laws or regulations. Major sub-systems manufactured by other firms but integrated into Seller's Product are covered by the original manufacturer's warranty and Seller makes no warranty, express or implied regarding such subsystems.

Subject to Buyer's compliance with the procedures set forth in paragraph below, Vidrio Technologies, LLC' sole obligation, and Buyer's exclusive remedy for any defective Product, shall be limited, at Vidrio Technologies, LLC' option, to either repairing or replacing, free of charge for materials or labor, any Product which is proved not in compliance with the Limited Warranty during the Warranty Period.

EXCEPT FOR THE LIMITED WARRANTY EXPRESSLY SET FORTH ABOVE, VIDRIO TECHNOLOGIES, LLC MAKES NO WARRANTIES, EXPRESS OR IMPLIED, WITH RESPECT TO THE PRODUCTS, AND EXPRESSLY DISCLAIMS ANY WARRANTY OF MERCHANTABILITY OR FITNESS FOR A PARTICULAR PURPOSE.

Extended Warranty and Post Warranty Service

vDAQ™: Extended warranties beyond two years are available for the vDAQ™ PCIe card at a cost of \$300 per year of extension up to 5 years. Extended warranties cover parts and labor.

ScanImage® Optimized vDAQ™ Data Acquisition System: Extended warranties beyond two years are available for the data acquisition system and vDAQ at a cost of \$385 per year of extension up to 5 years. Extended warranties cover parts and labor.

Post Warranty Service: An initial \$250 diagnostic fee will apply to all post warranty service requests. After diagnosis, a detailed cost estimate for repair or software fix will be sent to the customer. If the estimate is accepted by the customer, repairs/fixes will be made.

Limitation on Liability. To the extent not prohibited by applicable law:

IN NO CASE SHALL VIDRIO TECHNOLOGIES, LLC BE LIABLE TO ANYONE FOR ANY CONSEQUENTIAL OR INCIDENTAL DAMAGES FOR BREACH OF THIS OR ANY OTHER WARRANTY, EXPRESS OR IMPLIED, OR UPON ANY OTHER BASIS OF LIABILITY WHATSOEVER, EVEN IF THE LOSS OR DAMAGE IS CAUSED BY VIDRIO TECHNOLOGIES, LLC'S OWN NEGLIGENCE OR FAULT.

CONSEQUENTLY, VIDRIO TECHNOLOGIES, LLC SHALL HAVE NO LIABILITY FOR ANY PERSONAL INJURY, PROPERTY DAMAGE OR OTHER LOSS BASED ON THE USE OF THE PRODUCT IN COMBINATION WITH OR INTEGRATED INTO ANY OTHER INSTRUMENT OR DEVICE. HOWEVER, IF VIDRIO TECHNOLOGIES, LLC IS HELD LIABLE, WHETHER DIRECTLY OR INDIRECTLY, FOR ANY LOSS OR DAMAGE ARISING UNDER THIS LIMITED WARRANTY OR OTHERWISE, REGARDLESS OF CAUSE OR ORIGIN, VIDRIO TECHNOLOGIES, LLC' MAXIMUM LIABILITY SHALL NOT IN ANY CASE EXCEED THE PURCHASE PRICE OF THE PRODUCT WHICH SHALL BE THE COMPLETE AND EXCLUSIVE REMEDY AGAINST VIDRIO TECHNOLOGIES, LLC.

Product Return/Repair Policy.

- Buyer will notify Vidrio Technologies, LLC about the occurrence of defective or non-operational Product and request a "Return Authorization Number" (hereinafter referred to as "RMA#") from Vidrio Technologies, LLC for the items Buyer would like to return for repair or replacement by e-mail to support@vidriotech.com. This RMA# is to be used for all correspondence and shipping documents that relate to the Product.
- Buyer will ship the defective or non-operational Product to Vidrio Technologies, LLC. Buyer is responsible for shipping cost.
- Upon receipt of the returned Product, Vidrio Technologies, LLC will test the Product to verify the defective status of the component within the terms of the Limited Warranty and communicate such results to Buyer. D. Vidrio Technologies, LLC will either send a repaired or replacement Product after verifying that the Product returned under the RMA# is in fact defective within the terms of the Limited Warranty. Vidrio Technologies, LLC is responsible for shipping costs of replacement Product to the Buyer. If the repair is outside of the warranty period, Buyer will be responsible for all shipping costs.